

Fruit Ripening Easier & Faster



www.mechair.in



Mech-Air Industries is a Vadodara based fruit ripening machinery manufacturing company. Its state of the art manufacturing facility is spread over 10,000 sq. ft. of area and manufactures superior quality fruit ripening equipment. Complete solutions like design, engineering, manufacturing, installation, commissioning and training are done in-house.



Our fruit ripening solutions follow the best practices in the world and drastically save time for you. Our extensive knowledge and expertise in the field of fruit ripening ensure that you get high-quality and tasty ripe fruits. Now, why wait for fruits to ripen slowly when you can get juicy, fresh fruits with a natural taste. This in turn will also help you get these fruits to the market before others.

Save time with the best ripening solutions

The Fruit Ripening Process

High humidity forced ripening chambers with special coil are normally used for fruit ripening. The chambers have a 5 day cycle period. Specially built gas tight rooms have systems for controlling humidity, product temperature and concentration of CO2 & Ethylene.

Fruit ripening is possible through two methods, first by Ethylene Generator and second by a fully automatic centralized ripening system with Ethylene Gas Cylinder.



[1]



[2]



[3]



[4]



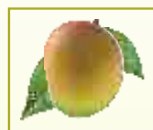
[5]



[1]



[2]



[3]



[4]



[5]



[1]



[2]



[3]



[4]



[5]

Ethylene Generator

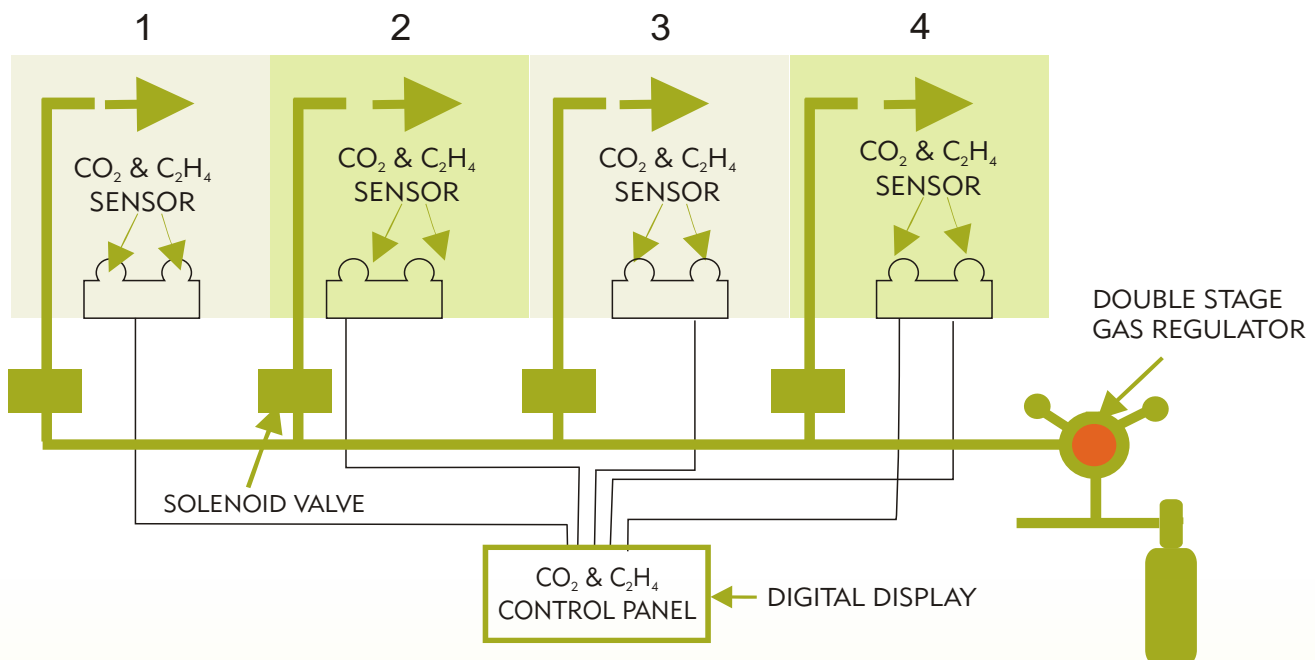


In this process, the fruits are placed in an air tight insulated ripening room where the desired temperature, RH and air circulation is controlled & maintained. The fruits are then exposed to a specific dosage of Ethylene gas at desired intervals while Carbon Dioxide levels are also maintained and air is infused at regular intervals.



Pressurized Ethylene Gas is released at a very slow rate by using a Double Stage Gas Regulator and Solenoid Valve into the ripening room loaded with the fruit unless and until the desired concentration is achieved and maintained.

Fully Automatic System



System Equipment

- Carbon Dioxide (CO₂) Analyzer
- Ethylene Analyzer with Concentration Controller
- Doping Ethylene Gas Cylinder
- Double Stage Gas Regulator
- Gas Control System with fully automatic Concentration Controller (Ethylene & CO₂ gas) with Solenoid Valves and dispensing pipelines

Both these systems are the most efficient and economical methods for the ripening of various kinds of fruits.



Ideal for ripening fruits like:

- Banana • Mango • Papaya • Apple
- Tomato • Lemon • Orange • Pears
- Melons - A) Water melon B) Honey Dew (Sweet) Melon
- Peppers – A) Bell Pepper b) Chilli Pepper
- Stone Fruits – A) Plum B) Peaches C) Nectarine
- Yellowing of Cucumber

Fruit Ripening Machine

DESCRIPTION / MODEL	MEC-120R	MEC-220R	MEC-400R
CONDENSING UNIT	MEC-120-RC	MEC-220-RC	MEC-400-RC
COMPRESSOR TYPE	HERMETIC SEALED	HERMETIC SEALED	SCROLL
COMPRESSOR MAKE	EMERSON/ TECUMSEH.	EMERSON/ TECUMSEH.	EMERSON
DIMENSIONS IN MM(w x d x h)	720 X 435 X 585	1015 X 530 X 845	1670 x 515 x 790
REFRIGERANT	R-22	R-22	R-22
CONDENSOR FAN MOTOR	160 Watts, 1400 rpm –1	132 watts, 900 RPM –1 NO	132 watts, 900 RPM - 2 Nos.
POWER SUPPLY	415 V, 50 HZ, 3 PHASE	415 V, 50 HZ, 3 PHASE	415 V, 50 HZ, 3 PHASE
EVAPORATING UNITS	MEC-120 -RE	MEC –220-RE	MEC–400-RE
No. of EVAPORATORS	1 (CEILING SUSPENDED)	2 (CEILING SUSPENDED)	1 (CEILING SUSPENDED)
FAN MOTOR	240 Watt, 1400 RPM X 2 Nos.	240 Watt, 1400 RPM – 4 Nos. (For 2 Nos. of EVAPORATORS)	380 Watt, 1400 rpm x 3 Nos.
AIR FLOW CFM	SUITABLE FOR RIPENING	SUITABLE FOR RIPENING	SUITABLE FOR RIPENING
POWER SUPPLY	415 V, 50 HZ, 3 PHASE	415 V, 50 HZ, 3 PHASE	415 V, 50 HZ, 3 PHASE
DIMENSIONS (w x d x h))	1230 (W) X 550 (D) X 615 (H)	1230 (W) X 550 (D) X 615 (H)– 2 Nos.	1975 (W) x 525 (D) x 725 (H)
COOLING CAPACITY at 17 Deg°C	28,100 BTU/HR	51,500 BTU/HR	85,300 BTU/HR
POWER CONSUMPTION	1.9 KWATTS	3.6 KWATTS	6.3 KWATTS



3-16 A, B IDC Industrial Estate, Gorwa, Vadodara - 390 016. Gujarat, India.

Ph.: 0265-2285751, 2290728 • Fax : 0265 - 2291613

Email: info@mechair.in • info@mechelecgroupp.com • mechair@gmail.com • Web : www.mechair.in

An ISO 9001 : 2000 Certified Company • Associate Members : ASHRAE - USA • IIR - France • ISHS - Belgium